



## PROTEUS HYBRID



**PROTEUS HYBRID™** is an IP65 rated 3-in-1 hybrid moving head beam, spot, and wash luminaire with the Philips™ MSD Platinum 21R 470W 80 CRI 8,000K lamp producing over 23,000 lumens. Features include an advanced optical system with motorized zoom from 2° in beam mode to 38° in spot mode or 40° in wash mode, an advanced internal thermal cooling system, full CMY and linear CTO color mixing, 14 dichroic colors including CTB, CTO, and UV, 8 rotating glass interchangeable and 14 static-stamped metal gobos, full 360° bi-directional animation wheel, 8-facet and linear rotating prisms and frost filter, motorized focus and auto-focus, high speed mechanical shutter and strobe, DMX, RDM (Remote Device Management), Art-NET, and sACN protocol support, Elation's E-FLY™ internal wireless DMX transceiver, IP rated 5pin XLR and RJ45 ethernet in/out connections, IP65 Locking Power Cable in, full color 180° reversible menu display with 6 button touch control panel, battery backup for display power, and a multi-voltage universal auto switching power supply (100-240v).

### FEATURES

- IP65 Rated 3-in-1 Hybrid Beam, Spot, Wash Luminaire**
- Philips™ MSD 21R 470W 80CRI 8,000K Lamp and Advanced Optics**
- Motorized Zoom, Beam and Spot Modes**
- Advanced Internal Thermal Cooling System**
- Full CMY Color Mixing and Linear CTO Color Correction**
- 14 Dichroic Colors Including CTB, CTO, and UV**
- 8 Rotating Interchangeable and 14 Static-Stamped Metal Gobos**
- Full 360° Bi-Directional Animation Wheel**
- Rotating 8-Facet and Linear Prisms and Frost Filter**
- Motorized Focus and Auto-Focus**
- High Speed Mechanical Shutter and Strobe**
- DMX, RDM, Art-NET, and sACN Protocol Support**

Specifications are subject to change without notice ©Elation Professional 07/26/21

Elation Professional USA | 6122 S. Eastern Ave. | Los Angeles, CA. 90040  
323-582-3322 | 323-832-9142 fax | [www.elationlighting.com](http://www.elationlighting.com) | [info@elationlighting.com](mailto:info@elationlighting.com)

Elation Professional B.V. | Junostraat 2 | 6468 EW Kerkrade, The Netherlands  
+31 45 546 85 66 | +31 45 546 85 96 fax | [www.elationlighting.eu](http://www.elationlighting.eu) | [info@elationlighting.eu](mailto:info@elationlighting.eu)



**PRODUCT SPECIFICATIONS**

**SOURCE**

Philips MSD 21R 470W 8,000K Lamp  
1,000 Hour Average LAMP Life\*

\*LAMP Life may vary depending on several factors including, but not limited to: Environmental Conditions, Power/Voltage, Usage Patterns (On-Off Cycling), Control, and Dimming.

**PHOTOMETRIC DATA**

80CRI | >23,000 Lumens  
13,375 LUX 1,243 FC @49.2' (15m) (3.0° Spot)  
233,000 LUX 21,646 FC @49.2' (15m) (2.0° Beam)  
11,500 LUX 1,068 FC @16.4' (15m) (4.0° Wash)

**Zoom Range**

Beam: 2.1° - 21.5°  
Spot: 2.8° - 28.6°  
Wash: 4° - 31.2°

**EFFECTS**

Full 360° Bi-Directional Animation Wheel  
Rotating Prisms and Prism Macro  
Frost Filter Hybrid Wash Effect  
Motorized Focus and Auto-Focus  
High Speed Mechanical Shutter and Strobe

**COLOR**

14 Dichroic Colors Including CTB, CTO, and UV  
Full CMY Color Mixing and Linear CTO Color Correction

**GOBOS**

8 Interchangeable Rotating / Indexing Glass Gobos  
14 Static-Stamped Metal Gobos

**CONTROL / CONNECTIONS**

(3) DMX Channel Modes (24 / 26 / 37)  
6 Button Touch Control Panel  
Full Color 180° Reversible LCD Menu Display  
8 / 16 Bit Resolution Adjustable Movement  
DMX, RDM, Art-NET, and sACN Protocol Support  
Elation's E-FLY™ Internal Wireless DMX Transceiver  
IP65 5pin DMX In/Out  
IP65 RJ45 ethernet In/Out  
IP65 Locking Power Cable In  
With Wired Digital Communication Network

**SIZE / WEIGHT**

Length: 18.45" (465mm)  
Width: 22.5" (571mm)  
Vertical Height: 37.1" (805mm)  
Weight: 84.0 lbs. (38 kg)

**ELECTRICAL / THERMAL**

AC 100-240V - 50/60Hz  
700W Max Power Consumption  
14°F to 113°F (-10°C to 45°C)

**APPROVALS / RATINGS**



**ORDERING INFORMATION**

PRB021	PROTEUS HYBRID
PRB032	PROTEUS HYBRID FC (Flight Case Included)
PRB135	PROTEUS HYBRID WMG (White Exterior Color)
DRCPROHYBRID1	Single Road Case For PROTEUS HYBRID
DRCPROHYBX2W	Dual Road Case For PROTEUS HYBRID
TRIGGER CLAMP	Heavy Duty Wrap Around Hook Style Clamp
EFL001	E-FLY™ Wireless DMX Transceiver
IP TESTER	IP-Rated Fixture Vacuum / Pressure Tester

**COLORS AND GOBOS**

**COLOR FLAGS**



**COLOR WHEEL**



**INTERCHANGEABLE-ROTATING GOBO WHEEL 1**

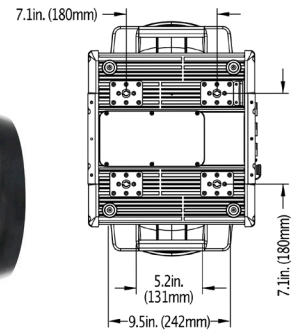
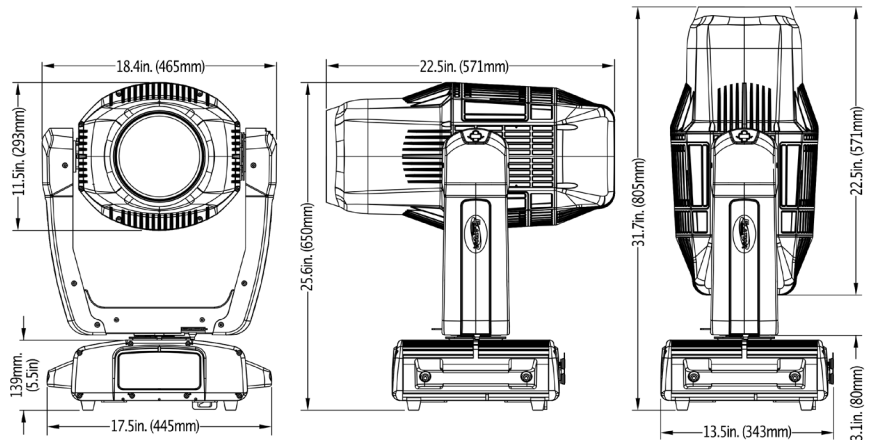


**STATIC-FIXED GOBO WHEEL 2**



**\*\*IMPORTANT NOTICE REGARDING GOBO DIMENSIONS AND CUSTOM GOBOS\*\***  
Due to the extreme high temp optical system, special material and design requirements are required. Please contact ELATION Customer Support for specific details.

**DIMENSIONAL DIAGRAMS**



Specifications are subject to change without notice ©Elation Professional 08/03/20

